

Jib Cranes

Solutions for compact workstations



Ingersoll Rand offers:

- ▶ 220° or 360° rotation
- ▶ Floor or wall mount
- ▶ Standard or low profile
- ▶ Capacities to 2,000 lb

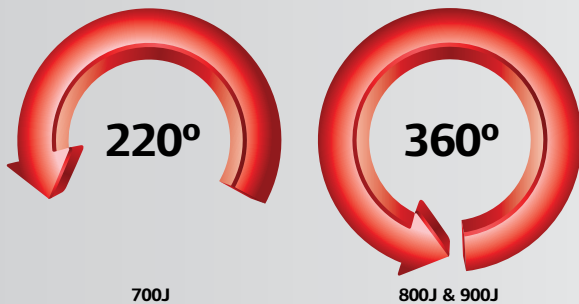
Zimmerman Series Jib Cranes

The Ingersoll Rand Jib Crane **ADVANTAGE**

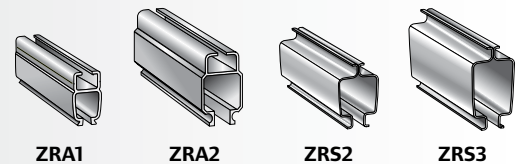
- ▶ **Ergonomic** — Unique single contact point, tapered roller bearing design provides easiest rotation in the industry on 360 degree jib cranes
- ▶ **Precision** — Made from precision Ingersoll Rand aluminum or steel rail, resulting in a lightweight, easy-to-move boom with low rolling resistance for smooth travel
- ▶ **Cost Effective** — Jib cranes are an inexpensive solution for short transfer applications
- ▶ **Rugged Reliability** — Light, Medium, and Heavy Duty configurations to meet every application

How to select

Rotation



Capacity



Jib Style	lb (kg)	lb (kg)	lb (kg)	lb (kg)
700J	900 (408.2)	2,000 (907.2)	2,000 (907.2)	2,000 (907.2)
800J*	820 (371.9)	820 (371.9)	820 (371.9)	
900J*		820 (371.9)		

Note: Jib styles marked with a * are available in floor-mount configuration only

Boom length

- ▶ Radius of coverage area
- ▶ Most ergonomic operation is closer to end of boom

Boom underclearance

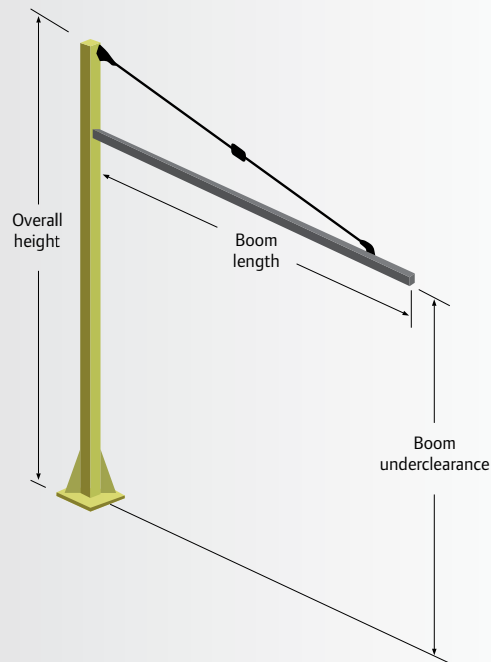
- ▶ Distance from floor to bottom of boom
- ▶ Available up to 14 ft (4.27 m) (12 ft [3.65 m] standard)

Overall height

- ▶ Distance from floor to top of jib crane
- ▶ 900J Series offers lowest overall height

Boom profile

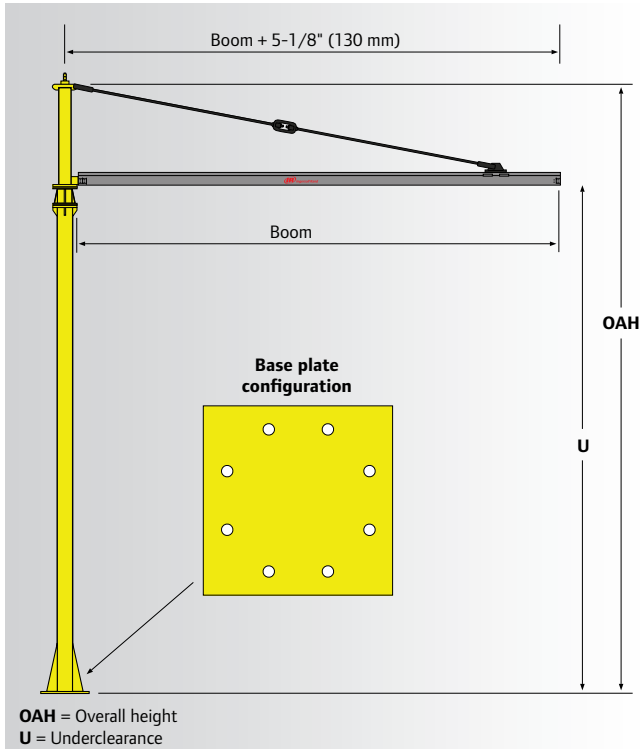
- ▶ Clean, lightweight anodized aluminum (ZRA1 and ZRA2)
- ▶ Rugged powder-coated steel (ZRS2 and ZRS3)



NOTE: For proper installation of a floor-supported jib crane system a minimum of a 6" (15.2 cm) thick reinforced concrete floor is required. Consult a registered structural engineer before installing the jib crane. This is required to ensure local building codes, possible seismic loading considerations and variance in concrete slab and soil conditions are addressed.

Zimmerman Series Jib Cranes

800J (360 degree):



ZRS2 boom type 360° rotation

Part No.	Boom ft (m)	Capacity lb (kg)	OAH = U + in (mm)	Weight lb (kg)
8082JS2F04144	4' (1.22)	820 (371.9)	43.18" (1097)	419 (190.5)
8055JS2F06144	6' (1.83)	550 (249.5)	43.18" (1097)	435 (197.7)
8041JS2F08144	8' (2.44)	410 (186)	43.18" (1097)	451 (205)
8033JS2F10144	10' (3.05)	330 (149.7)	43.18" (1097)	467 (212.3)
8027JS2F12144	12' (3.66)	270 (122.5)	43.18" (1097)	483 (219.5)
8023JS2F14144	14' (4.27)	230 (104.3)	43.18" (1097)	499 (226.8)
8020JS2F16144	16' (4.88)	200 (90.7)	43.18" (1097)	515 (234.1)
8018JS2F18144	18' (5.49)	180 (81.6)	43.18" (1097)	531 (241.4)
8016JS2F20144	20' (6.1)	160 (72.6)	43.18" (1097)	547 (248.6)

ZRA1 boom type 360° rotation

Part No.	Boom ft (m)	Capacity lb (kg)	OAH = U + in (mm)	Weight lb (kg)
8082JA1F04144	4' (1.22)	820 (371.9)	42.09" (1069)	415 (188.6)
8055JA1F06144	6' (1.83)	550 (249.5)	42.09" (1069)	423 (192.3)
8041JA1F08144	8' (2.44)	410 (186)	42.09" (1069)	431 (195.9)
8033JA1F10144	10' (3.05)	330 (149.7)	42.09" (1069)	439 (199.5)
8027JA1F12144	12' (3.66)	270 (122.5)	42.09" (1069)	447 (203.2)
8023JA1F14144	14' (4.27)	230 (104.3)	42.09" (1069)	455 (206.8)
8020JA1F16144	16' (4.88)	200 (90.7)	42.09" (1069)	463 (210.5)
8018JA1F18144	18' (5.49)	180 (81.6)	42.09" (1069)	471 (214.1)
8016JA1F20144	20' (6.1)	160 (72.6)	42.09" (1069)	479 (217.7)

ZRA2 boom type 360° rotation

Part No.	Boom ft (m)	Capacity lb (kg)	OAH = U + in (mm)	Weight lb (kg)
8082JA2F04144	4' (1.22)	820 (371.9)	43.25" (1099)	419 (190.5)
8055JA2F06144	6' (1.83)	550 (249.5)	43.25" (1099)	435 (197.7)
8041JA2F08144	8' (2.44)	410 (186)	43.25" (1099)	451 (205)
8033JA2F10144	10' (3.05)	330 (149.7)	43.25" (1099)	467 (212.3)
8027JA2F12144	12' (3.66)	270 (122.5)	43.25" (1099)	483 (219.5)
8023JA2F14144	14' (4.27)	230 (104.3)	43.25" (1099)	499 (226.8)
8020JA2F16144	16' (4.88)	200 (90.7)	43.25" (1099)	515 (234.1)
8018JA2F18144	18' (5.49)	180 (81.6)	43.25" (1099)	531 (241.4)
8016JA2F20144	20' (6.1)	160 (72.6)	43.25" (1099)	547 (248.6)

For applications not covered on this sheet or pallet-based applications, consult the factory.

Dimensional notes:

ZRA1, ZRA2 and ZRS2 (medium)

Uⁿ Standard columns 6" x 6" x 1/4" designed for 168 in (14 ft/4.27m) underclearance or less.

P Base plate 3/4" x 18" x 18", 8-holes 7/8" diameter on a 16" (406.4 mm) bolt circle. 3/4" stud anchors or bolts are to be supplied by the customer.

Zimmerman Series Jib Cranes

700J (220 degree):

ZRA1 boom type 220° rotation (light)

Part No.	Boom ft (m)	Capacity lb (kg)	OAH = U + in (mm)	Weight lb (kg)
7090JA1F04144	4' (1.22)	900 (408.2)	38" (965)	375 (170.5)
7061JA1F06144	6' (1.83)	610 (276.7)	38" (965)	383 (174.1)
7046JA1F08144	8' (2.44)	460 (208.7)	38" (965)	391 (177.7)
7037JA1F10144	10' (3.05)	370 (167.8)	38" (965)	399 (181.4)
7030JA1F12144	12' (3.66)	300 (136.1)	38" (965)	407 (185)
7026JA1F14144	14' (4.27)	260 (117.9)	38" (965)	414 (188.2)
7023JA1F16144	16' (4.88)	230 (104.3)	38" (965)	423 (192.3)
7020JA1F18144	18' (5.49)	200 (90.7)	38" (965)	431 (195.9)
7016JA1F20144	20' (6.1)	160 (72.6)	38" (965)	439 (199.5)

ZRA2 boom type 220° rotation (medium)

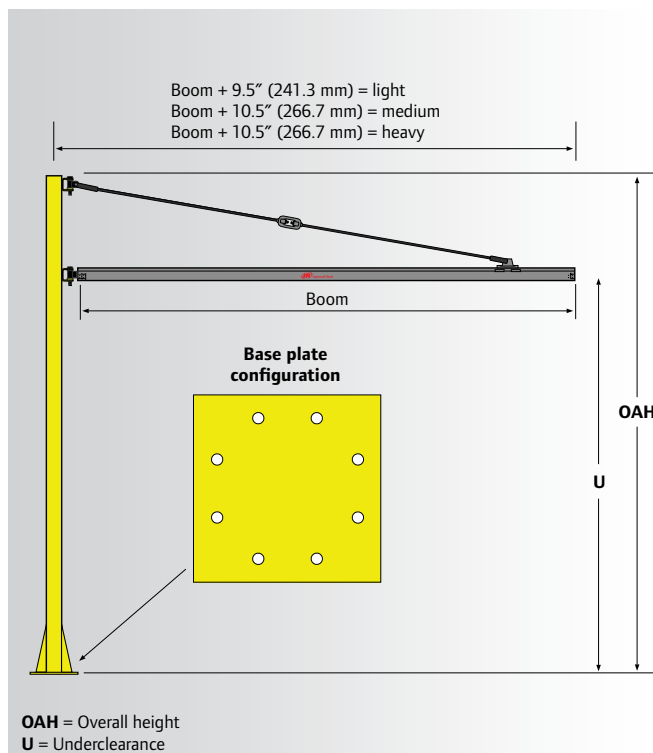
Part No.	Boom ft (m)	Capacity lb (kg)	OAH = U + in (mm)	Weight lb (kg)
7200JA2F04144	4' (1.22)	2,000 (907.2)	39" (991)	660 (300)
7140JA2F06144	6' (1.83)	1,400 (635)	39" (991)	675 (306.8)
7105JA2F08144	8' (2.44)	1,050 (476.3)	39" (991)	690 (313.6)
7080JA2F10144	10' (3.05)	800 (362.9)	39" (991)	705 (320.5)
7070JA2F12144	12' (3.66)	700 (317.5)	39" (991)	720 (327.3)
7060JA2F14144	14' (4.27)	600 (272.2)	39" (991)	735 (334.1)
7050JA2F16144	16' (4.88)	500 (226.8)	39" (991)	782 (355.5)
7045JA2F18144	18' (5.49)	450 (204.1)	39" (991)	797 (362.3)
7040JA2F20144	20' (6.1)	400 (181.4)	39" (991)	812 (369.1)

ZRA2 boom type 220° rotation (heavy)

Part No.	Boom ft (m)	Capacity lb (kg)	OAH = U + in (mm)	Weight lb (kg)
7200JA2F06144	6' (1.83)	2,000 (907.2)	39" (991)	925 (420.5)
7200JA2F08144	8' (2.44)	2,000 (907.2)	39" (991)	940 (427.3)
7160JA2F10144	10' (3.05)	1,600 (725.7)	39" (991)	955 (434.1)
7135JA2F12144	12' (3.66)	1,350 (612.3)	39" (991)	970 (441)
7115JA2F14144	14' (4.27)	1,150 (521.6)	39" (991)	985 (447.7)
7100JA2F16144	16' (4.88)	1,000 (453.6)	51" (1,295)	1,000 (454.5)
7080JA2F18144	18' (5.49)	800 (362.9)	51" (1,295)	1,065 (484.1)
7065JA2F20144	20' (6.1)	650 (294.8)	51" (1,295)	1,080 (491)

ZRS2 boom type 220° rotation (medium)

Part No.	Boom ft (m)	Capacity lb (kg)	OAH = U + in (mm)	Weight lb (kg)
7200JS2F04144	4' (1.22)	2,000 (907.2)	39" (991)	660 (300)
7140JS2F06144	6' (1.83)	1,400 (635)	39" (991)	675 (306.8)
7105JS2F08144	8' (2.44)	1,050 (476.3)	39" (991)	690 (313.6)
7085JS2F10144	10' (3.05)	850 (385.6)	39" (991)	705 (320.5)
7070JS2F12144	12' (3.66)	700 (317.5)	39" (991)	720 (327.3)
7060JS2F14144	14' (4.27)	600 (272.2)	39" (991)	735 (334.1)
7053JS2F16144	16' (4.88)	530 (240.4)	39" (991)	782 (355.5)
7048JS2F18144	18' (5.49)	480 (217.7)	39" (991)	797 (362.3)
7042JS2F20144	20' (6.1)	420 (190.5)	39" (991)	812 (369.1)



ZRS3 boom type 220° rotation (heavy)

Part No.	Boom ft (m)	Capacity lb (kg)	OAH = U + in (mm)	Weight lb (kg)
7200JA2F06144	6' (1.83)	2,000 (907.2)	39" (991)	925 (420.5)
7200JA2F08144	8' (2.44)	2,000 (907.2)	39" (991)	940 (427.3)
7160JA2F10144	10' (3.05)	1,600 (725.7)	39" (991)	955 (434.1)
7135JA2F12144	12' (3.66)	1,350 (612.3)	39" (991)	970 (441)
7115JA2F14144	14' (4.27)	1,150 (521.6)	39" (991)	985 (447.7)
7100JA2F16144	16' (4.88)	1,000 (453.6)	51" (1,295)	1,000 (454.5)
7080JA2F18144	18' (5.49)	800 (362.9)	51" (1,295)	1,065 (484.1)
7065JA2F20144	20' (6.1)	650 (294.8)	51" (1,295)	1,080 (491)

For applications not covered on this sheet or pallet-based applications, consult the factory.

Dimensional notes:

ZRA1 (light)

- U" Standard columns 6" x 6" x 1/4" designed for 168 in (14 ft/4.27 m) underclearance or less.
- P Base plate 3/4" x 18" x 18", 8-holes 7/8" diameter on a 16" (406.4 mm) bolt circle.
- 3/4" stud anchors or bolts are to be supplied by the customer.

ZRA2 (medium)

- U" Standard columns 8" x 8" x 1/4" designed for 168 in (14 ft/4.27 m) underclearance or less.
- P Base plate 3/4" x 24" x 24", 8-holes 7/8" diameter on a 20" (508 mm) bolt circle.
- 3/4" stud anchors or bolts are to be supplied by the customer.

ZRA2 (heavy)

- U" Standard columns 8" x 8" x 1/2" designed for 168 in (14 ft/4.27 m) underclearance or less.
- P Base plate 3/4" x 24" x 24", 8-holes 7/8" diameter on a 20" (508 mm) bolt circle.
- 3/4" stud anchors or bolts are to be supplied by the customer.

ZRS2 (medium)

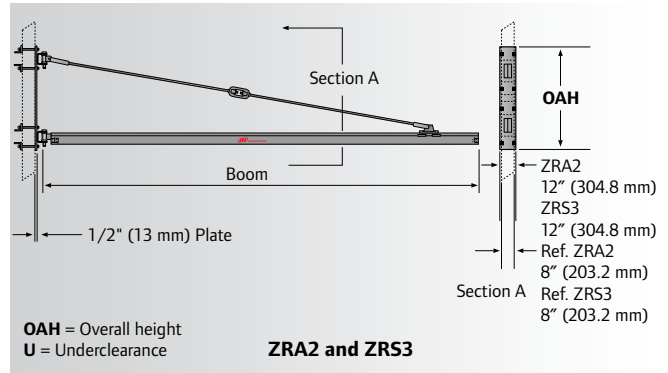
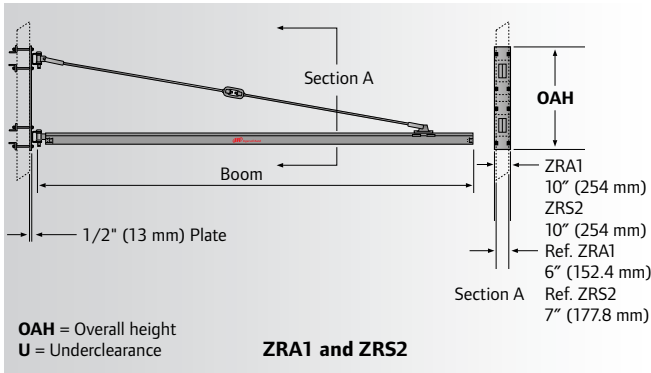
- U" Standard columns 8" x 8" x 1/4" designed for 168 in (14 ft/4.27 m) underclearance or less.
- P Base plate 3/4" x 24" x 24", 8-holes 7/8" diameter on a 20" (508 mm) bolt circle.
- 3/4" stud anchors or bolts are to be supplied by the customer.

ZRS3 (heavy)

- U" Standard columns 8" x 8" x 1/2" designed for 168 in (14 ft/4.27 m) underclearance or less.
- P Base plate 3/4" x 24" x 24", 8-holes 7/8" diameter on a 20" (508 mm) bolt circle.
- 3/4" stud anchors or bolts are to be supplied by the customer.

Zimmerman Series Jib Cranes

700JW (wall mount):



ZRA1 boom type wall mount (light)

Part No.	Boom ft (m)	Capacity lb (kg)	OAH in (mm)	Weight lb (kg)
7100JA1W04	4' (1.22)	1,000 (453.6)	44" (1118)	120 (54.5)
7100JA1W06	6' (1.83)	1,000 (453.6)	44" (1118)	131 (59.5)
7100JA1W08	8' (2.44)	1,000 (453.6)	44" (1118)	142 (64.5)
7080JA1W10	10' (3.05)	800 (362.9)	44" (1118)	153 (69.5)
7050JA1W12	12' (3.66)	500 (226.8)	44" (1118)	164 (74.5)
7036JA1W14	14' (4.27)	360 (163.3)	44" (1118)	175 (79.5)
7026JA1W16	16' (4.88)	260 (117.9)	44" (1118)	186 (84.5)
7020JA1W18	18' (5.49)	200 (90.7)	44" (1118)	197 (89.5)
7016JA1W20	20' (6.1)	160 (72.6)	44" (1118)	208 (94.5)

ZRA2 boom type wall mount (heavy)

Part No.	Boom ft (m)	Capacity lb (kg)	OAH in (mm)	Weight lb (kg)
7200JA2W04	4' (1.22)	2,000 (907.2)	44" (1118)	145 (65.9)
7200JA2W06	6' (1.83)	2,000 (907.2)	44" (1118)	154 (70)
7200JA2W08	8' (2.44)	2,000 (907.2)	44" (1118)	181 (82.3)
7190JA2W10	10' (3.05)	1,900 (861.8)	44" (1118)	199 (90.5)
7160JA2W12	12' (3.66)	1,600 (725.7)	44" (1118)	217 (98.6)
7135JA2W14	14' (4.27)	1,350 (612.3)	44" (1118)	235 (106.8)
7100JA2W16	16' (4.88)	1,000 (453.6)	56" (1423)	266 (120.9)
7080JA2W18	18' (5.49)	800 (362.9)	56" (1423)	310 (140.9)
7060JA2W20	20' (6.1)	600 (272.2)	56" (1423)	354 (160.9)

ZRS2 boom type wall mount (medium)

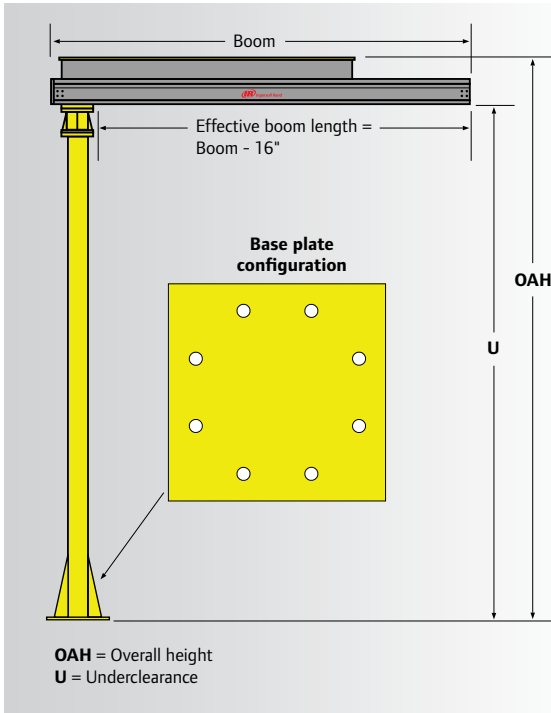
Part No.	Boom ft (m)	Capacity lb (kg)	OAH in (mm)	Weight lb (kg)
7200JS2W04	4' (1.22)	2,000 (907.2)	44" (1118)	145 (65.9)
7200JS2W06	6' (1.83)	2,000 (907.2)	44" (1118)	163 (74.1)
7200JS2W08	8' (2.44)	2,000 (907.2)	44" (1118)	181 (82.3)
7190JS2W10	10' (3.05)	1,900 (861.8)	44" (1118)	199 (90.5)
7160JS2W12	12' (3.66)	1,600 (725.7)	44" (1118)	217 (98.6)
7100JS2W14	14' (4.27)	1,000 (453.6)	44" (1118)	235 (106.8)
7080JS2W16	16' (4.88)	800 (362.9)	56" (1423)	266 (120.9)
7060JS2W18	18' (5.49)	600 (272.2)	56" (1423)	310 (140.9)
7045JS2W20	20' (6.1)	450 (204.1)	56" (1423)	354 (160.9)

ZRS3 boom type wall mount (heavy)

Part No.	Boom ft (m)	Capacity lb (kg)	OAH in (mm)	Weight lb (kg)
7200JS3W04	4' (1.22)	2,000 (907.2)	44" (1118)	146 (66.4)
7200JS3W06	6' (1.83)	2,000 (907.2)	44" (1118)	166 (75.5)
7200JS3W08	8' (2.44)	2,000 (907.2)	44" (1118)	186 (84.5)
7190JS3W10	10' (3.05)	1,900 (861.8)	44" (1118)	206 (93.6)
7160JS3W12	12' (3.66)	1,600 (725.7)	44" (1118)	226 (102.7)
7135JS3W14	14' (4.27)	1,350 (612.3)	44" (1118)	246 (111.8)
7100JS3W16	16' (4.88)	1,000 (453.6)	56" (1423)	278 (126.4)
7080JS3W18	18' (5.49)	800 (362.9)	56" (1423)	322 (146.6)
7060JS3W20	20' (6.1)	600 (272.2)	56" (1423)	366 (166.4)

Zimmerman Series Jib Cranes

900J low profile (360 degree):



ZRA2 boom type 360° rotation (heavy)

Part No.	Boom ft (m)	Capacity lb (kg)	OAH = U + in (mm)	Weight lb (kg)
9082JA2TF04144	4' (1.22)	820 (371.9)	13.03" (340)	410 (186)
9055JA2TF06144	6' (1.83)	550 (249.5)	13.03" (340)	440 (199.6)
9041JA2TF08144	8' (2.44)	410 (186)	13.03" (340)	470 (213.2)
9033JA2TF10144	10' (3.05)	330 (149.7)	13.03" (340)	500 (226.8)
9027JA2TF12144	12' (3.66)	270 (122.5)	13.03" (340)	530 (240.4)
9023JA2TF14144	14' (4.27)	230 (104.3)	13.03" (340)	560 (254)
9020JA2TF16144	16' (4.88)	200 (90.7)	13.03" (340)	590 (267.6)
9018JA2TF18144	18' (5.49)	180 (81.6)	13.03" (340)	620 (281.2)
9016JA2TF20144	20' (6.1)	160 (72.6)	13.03" (340)	650 (294.8)

Note:
Effective boom length = Boom length - 16"

Dimensional notes:
Column: 6" x 6" x 1/4" designed for 168 in (14 ft/4.27 m) underclearance or less

Base plate:
3/4" x 18" x 18", 8 holes 7/8" diameter on a 16" (406.4 mm) bolt circle
3/4" stud anchors or bolts are to be supplied by the customer.

Example: 7105JS2F08144

Jib Crane model driver

Style 7	Capacity 105 lb kg	Jib J	Rail Type S2	Mount Type F	Boom Length 08 ft m	Underclearance 144 in mm
700J (220°) = 7 800J (360°) = 8 900J (360°) = 9	105 = 1050 476	J = Jib	A1 = ZRA1 A2 = ZRA2 S2 = ZRS2 S3 = ZRS3 A2T = ZRA2T	F = Floor W = Wall	04 = 4 1.22 06 = 6 1.83 08 = 8 2.44 10 = 10 3.05 12 = 12 3.66 14 = 14 4.27 16 = 16 4.88 18 = 18 5.49 20 = 20 6.10	144 = 144 3657.6 Note: Standard underclearance available up to 168 in.

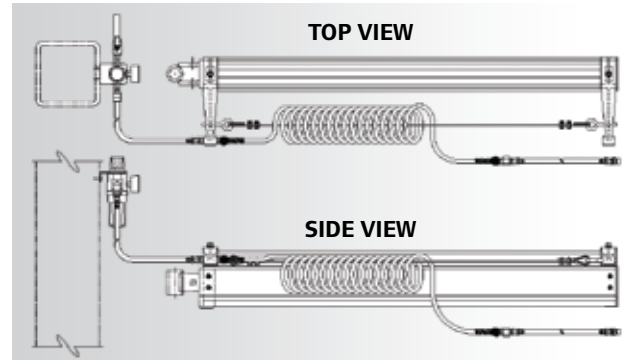
Zimmerman Series Jib Cranes

Accessories:

Air supply kits

Size	Part No.
3/8"	90027
1/2"	90028

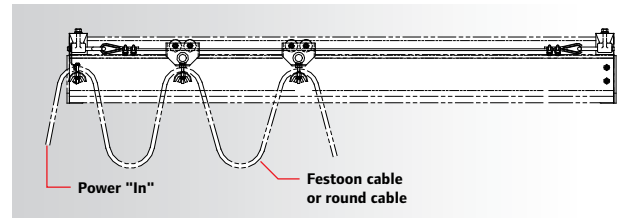
Note:
Includes filter regulator assembly with brackets, tagline assembly, and coiled hose.



Electrification kits

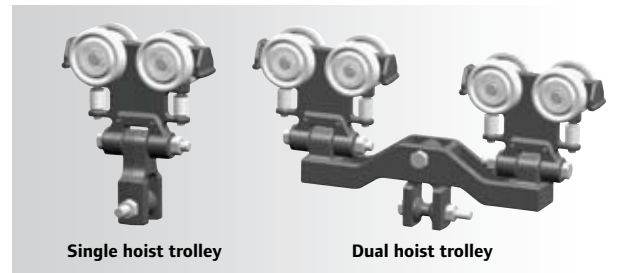
Boom	Part No.
Up to 12'	ZHS90090-1
Greater than 12'	ZHS90090-2

Note:
Includes 2 suspension brackets, 1 anchor bracket, variable length tag line wire with clamps and eyebolt assembly, and cable trolleys.



Hoist trolleys

Boom	Capacity lb (kg)	Part No.
ZRA1	500 (225)	ZHS30313
ZRA1	1,000 (450)	30303
ZRA2	1,000 (450)	ZHS30314
ZRA2	2,000 (900)	30906
ZRS2/3	1,000 (450)	ZHS30315
ZRS2/3	2,000 (900)	30830



Adjustable boom rotation stops

Jib Series	Part No.
700J Series - 220° Rotation	ZHS42982
800J and 900J Series - 360° Rotation	42203000

Also available upon request:

- ▶ Portable pallet base — Provides jib mobility using a fork truck compatible base
- ▶ Custom designs for special applications

